



CUT SHEET

TLS DIMMER REPEATER TDR-320

DESCRIPTION

The PWM dimmer repeater enables lumens output control from 10-100% on constant voltage LED systems. Used with drivers up to 320 watts, the TDR-320 has the capacity to repeat the dimming signal to a limitless amount of repeaters for an entire system.

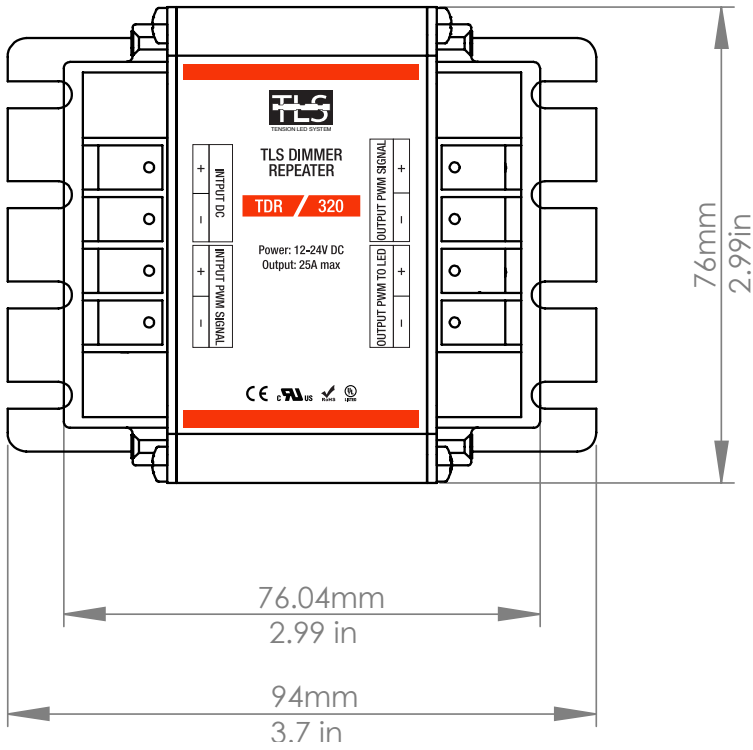
FEATURES

- Simple Installation
- Dimming level from 10-100%
- PWM input signal compatibility
- Compact size
- Robust construction
- High current capability
- Low flickering rate

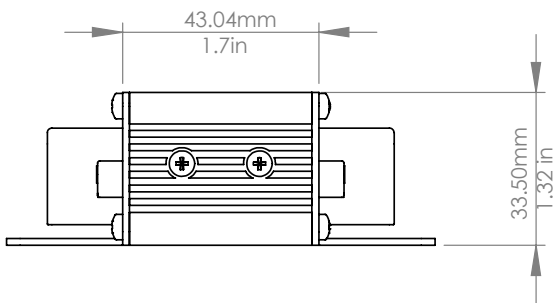


DIMENSIONS

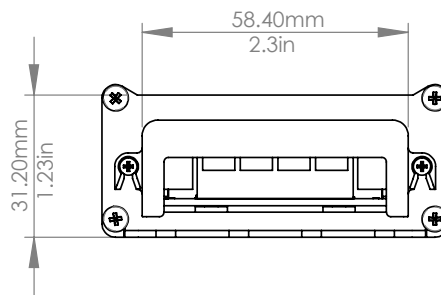
Top view



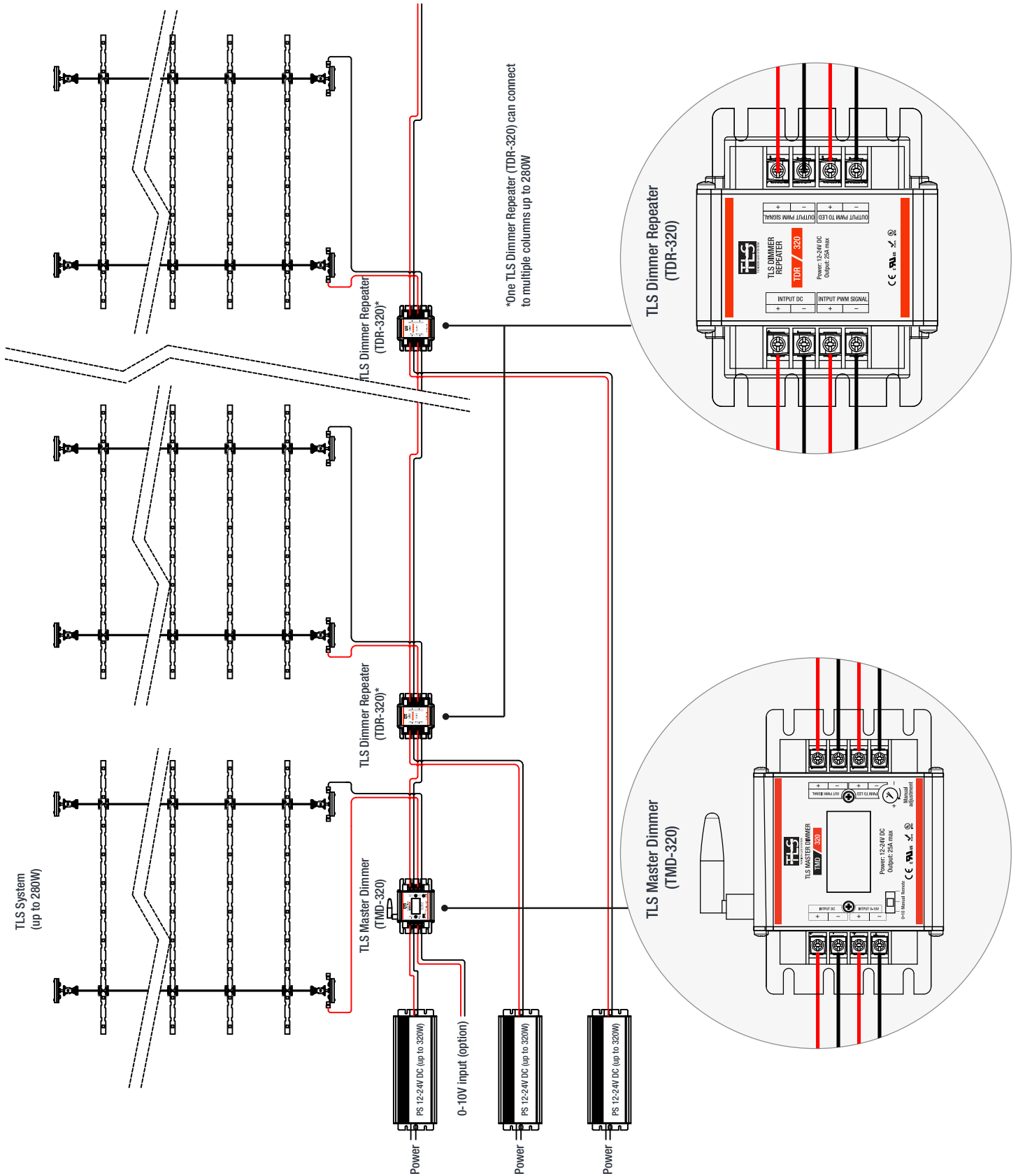
Side view



Front view



WIRING DIAGRAM



TECHNICAL SPECIFICATIONS

ELECTRICAL

OPERATING VOLTAGE	12 - 24 V DC
OUTPUT CURRENT	Max 25 A
OUTPUT POWER	320W Max
OPERATING TEMPERATURE	-30C - 80C
FLICKERING %	0 - 13%

CONTROL

INPUT SIGNAL	PWM (12 - 24 V DC)
OUTPUT SIGNAL	From TMD or TDR
DIMMING OUTPUT RANGE	10 - 100% Dimming level


RATING

INGRESS PROTECTION	IP22 (optional IP65)
--------------------	----------------------

PHYSICAL

DIMENSIONS	W 76mm, H 33.50mm, L 94mm
HOUSING	Clear anodized aluminium
WEIGHT	140 gr

CERTIFICATION

CERTIFICATION	  
---------------	--