



## CUT SHEET

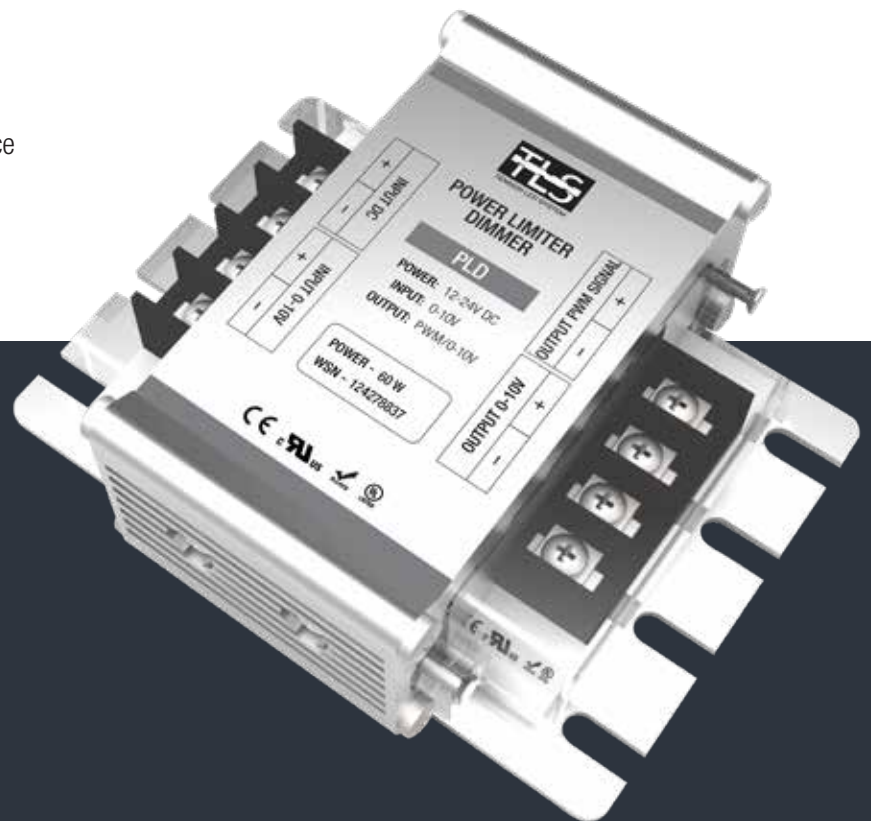
# PLD

### DESCRIPTION

The PLD is a power limiter that controls total wattage allowance. Adjustments are done by TLS and labelled with total wattage/voltage of the setup. Modifications and adjustments cannot be done on site by an electrician. The PLD can be connected to TLS Astra repeater TDR-320 to control intensity of TLS Astra Led system. It can also be connected to TLS Sola master TMDX-320 to control the intensity of TLS Sola Led System.

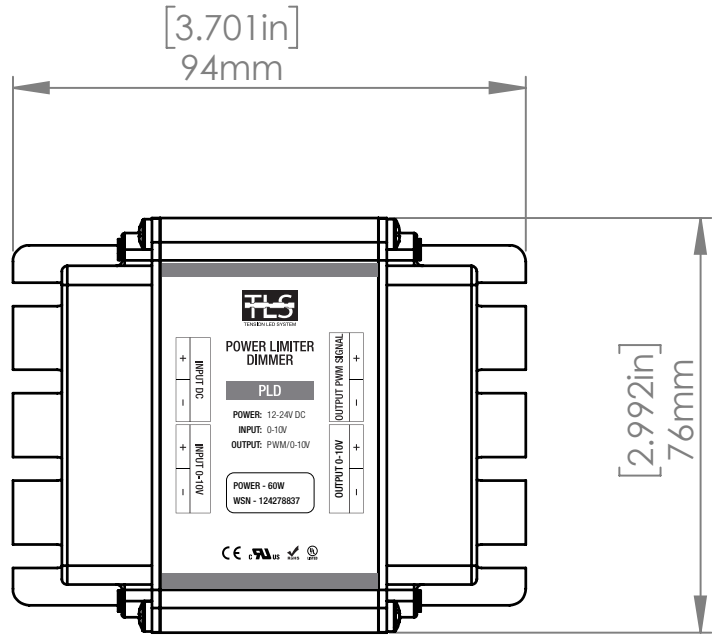
### FEATURES

- Power adjustment precision
- Dimming level from 0% - factory set level
- Compatible with any 3rd party 1-10 V source
- Compact size
- Robust construction

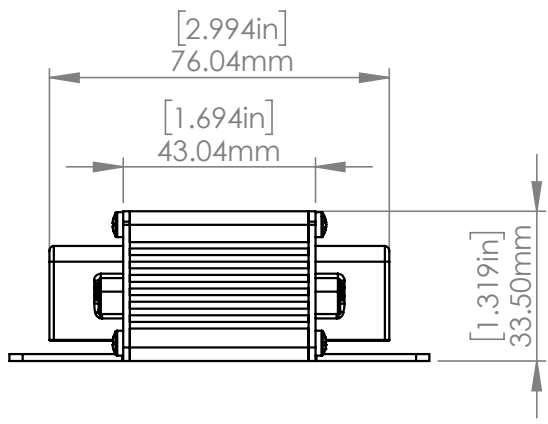


**DIMENSIONS**

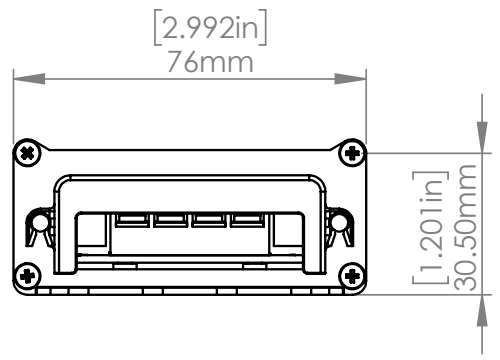
Top view



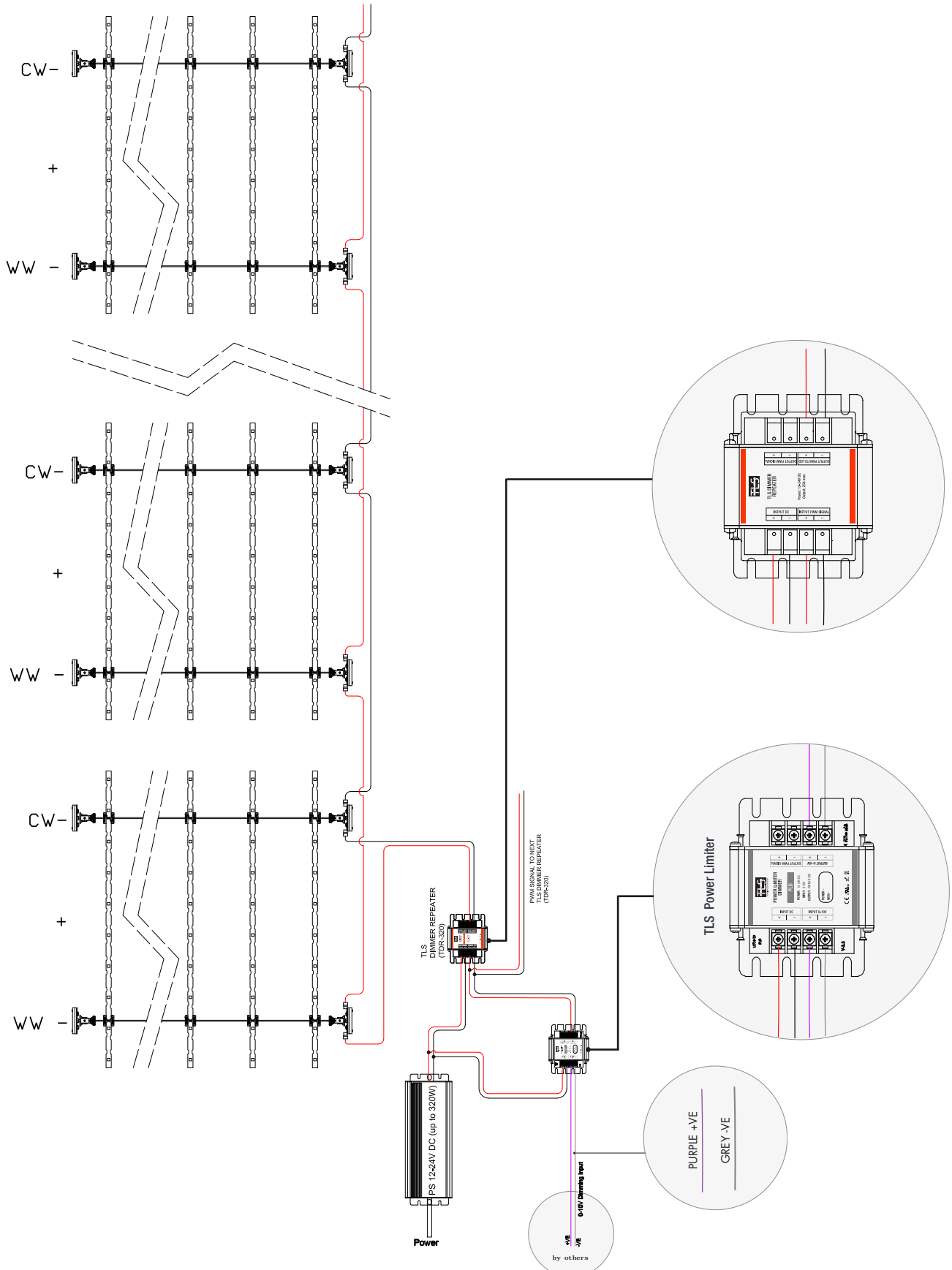
Side view



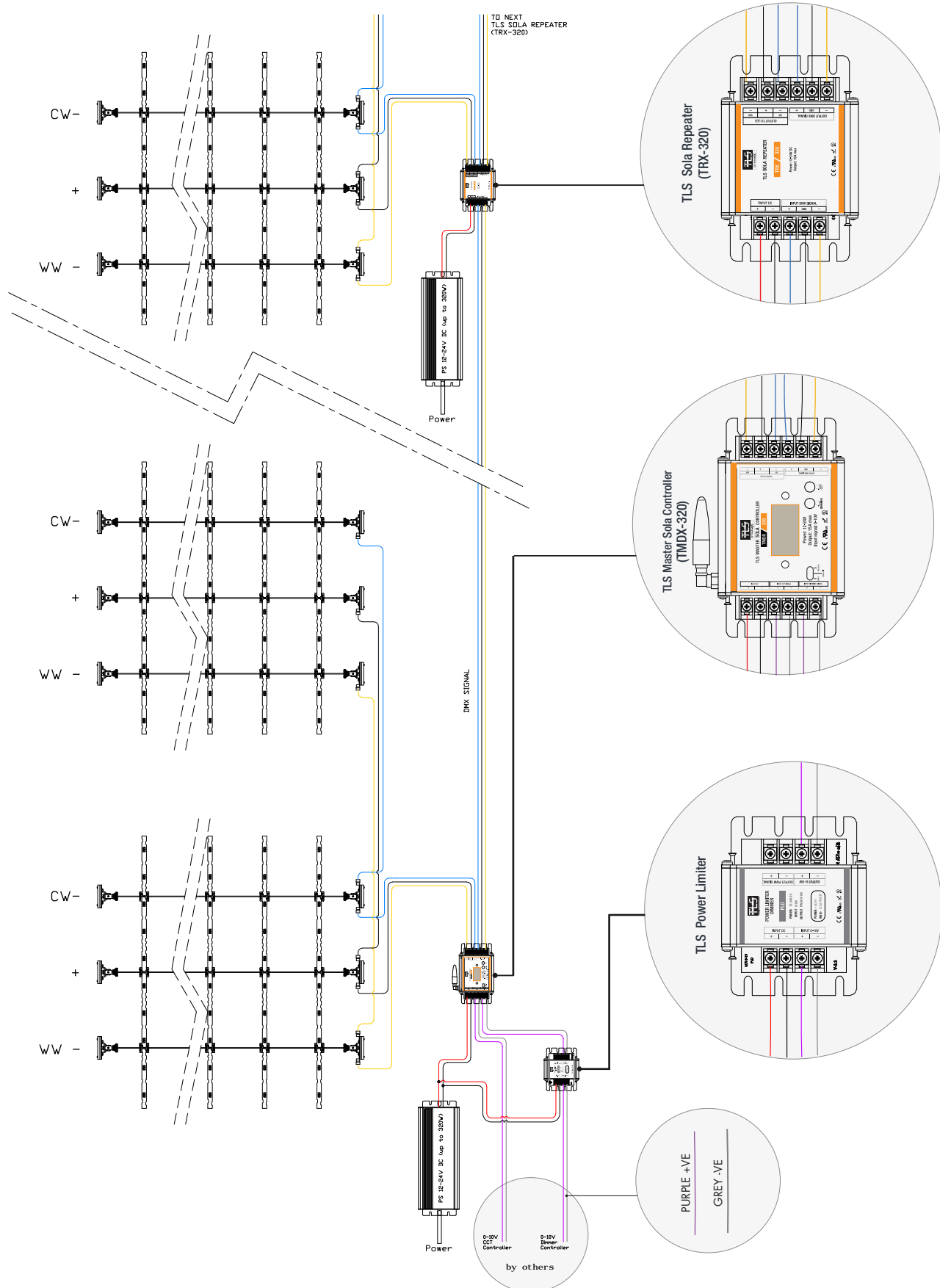
Front view



WIRING DIAGRAM TLS Static



WIRING DIAGRAM TLS Sola



**TECHNICAL SPECIFICATIONS**

**ELECTRICAL**

OPERATING VOLTAGE	12 - 24 V DC
OPERATING TEMPERATURE	-30C to 80C
FLICKERING %	0% - 20%

**CONTROL**

INPUT SIGNAL	0-10 V (or 1-10 V) source or sink
OUTPUT SIGNAL	PWM and 0-10 V
DIMMING OUTPUT RANGE	0% - Factory set level

**RATING**

INGRESS PROTECTION	IP22 (optional IP65)
--------------------	----------------------

**PHYSICAL**

DIMENSIONS	W 76mm, H 33.50mm, L 94mm
HOUSING	Clear anodized aluminium
WEIGHT	125 gr

**CERTIFICATION**

CERTIFICATION	   
---------------	--