



CUT SHEET

MASTER DIMMER *TMD-320*

DESCRIPTION

The master dimmer is a unique dimming solution for constant voltage LED systems that generates a PWM output in linear steps from 10-100%. The TMD-320 has three control options: remote control, resistor and 0-10V. The dimming level is displayed on the front LCD screen. Built in manual adjustment option.

FEATURES

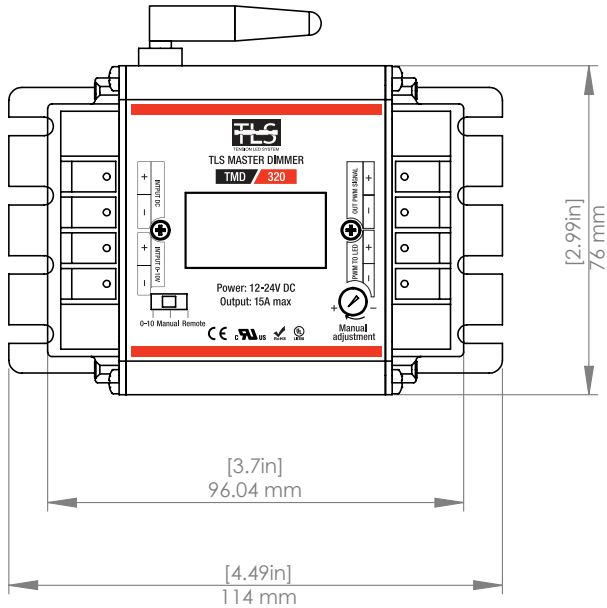
- Compatible with 3rd party 0-10V Sink + source controllers
- Simple installation
- Dimming level 10-100%
- 3 input control options
- Compact size
- RF remote capability with more than 100 feet
- Robust construction
- High current capability
- LCD display
- Low flickering rate



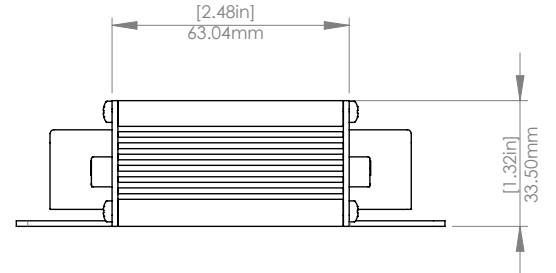
TLS_DOC_160421

TLS TMD-320 Dimensions

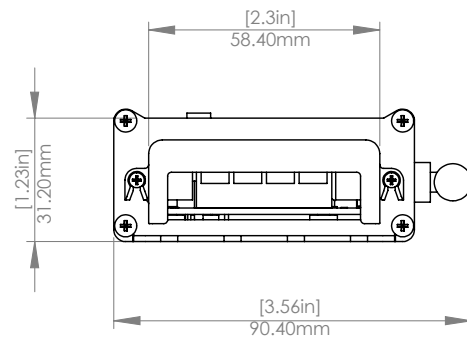
Top View



Side View



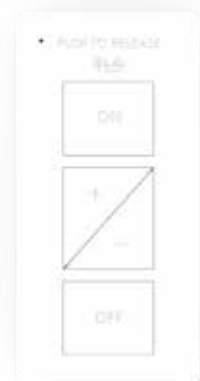
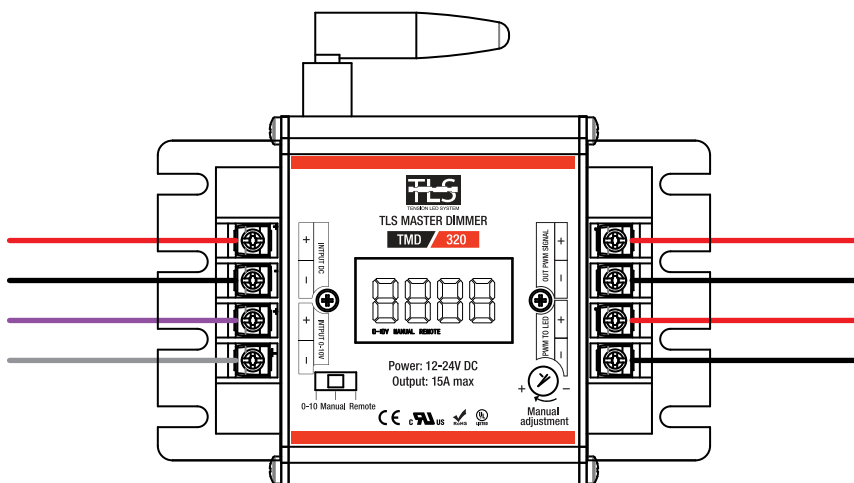
Front View



TLS TMD-320 Connections

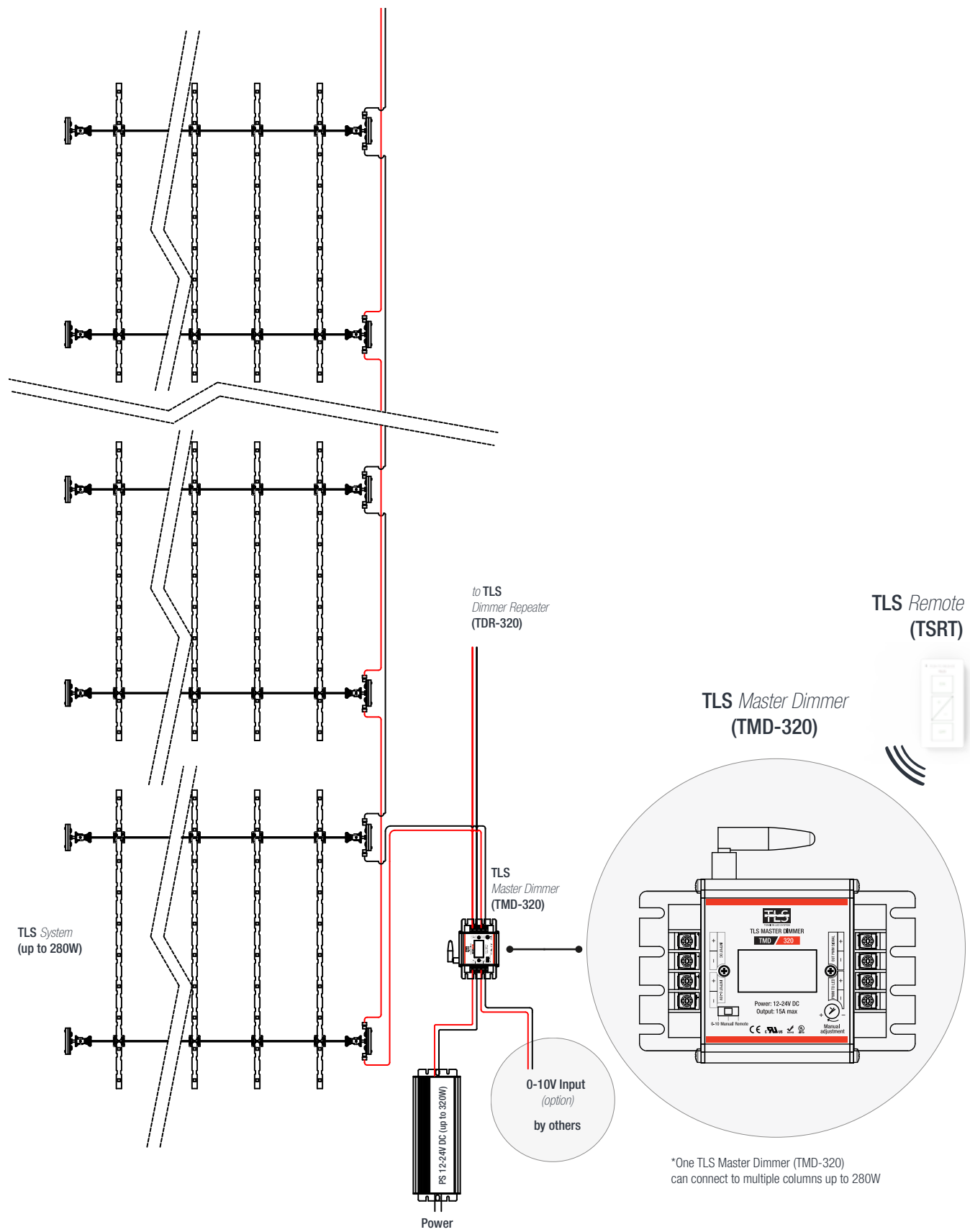
TLS Remote / TSRT

Top View



*All dimensions are in millimeters

Wiring Diagram



*One TLS Master Dimmer (TMD-320) can connect to multiple columns up to 280W

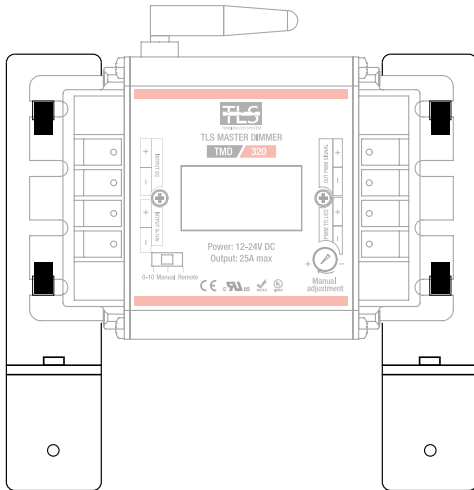
ACCESSORIES

TLS *BRK 2*

Designed for an easy installation with our TLS extruded profiles.

Astra remote.

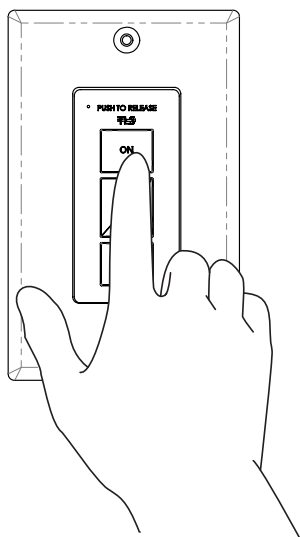
Front View



REMOTE CONTROL

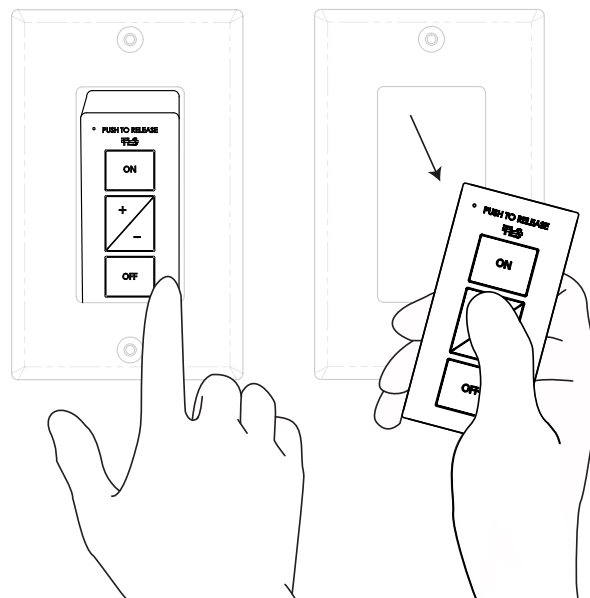
TLS TSRT Dimmer Remote controller is designed to be operated directly from the wall, or can be easily removed to be used

Wall Mounted



OR

Push & Release

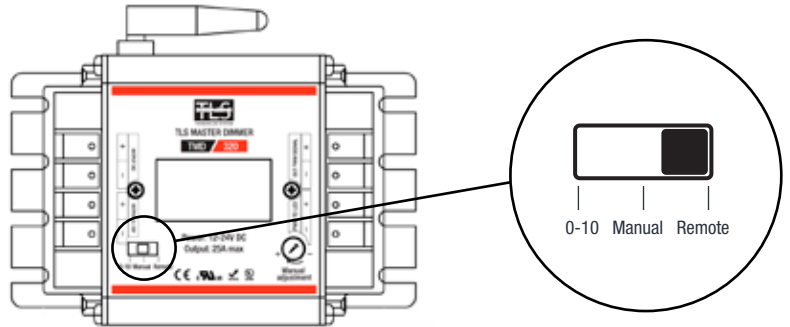


*See next page for technical specifications

ACCESSORIES / REMOTE PAIRING

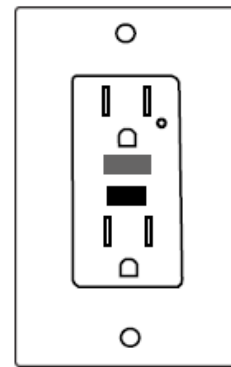
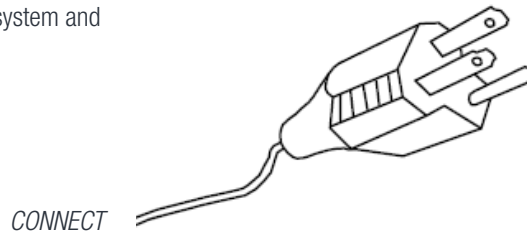
STEP 1 BEFORE CONNECTING TO ELECTRICITY

Set the TLS Master Dimmer (TMD-320) to "Remote" position



STEP 2 CONNECTING TO ELECTRICITY (PLUG OR HARDWIRE)

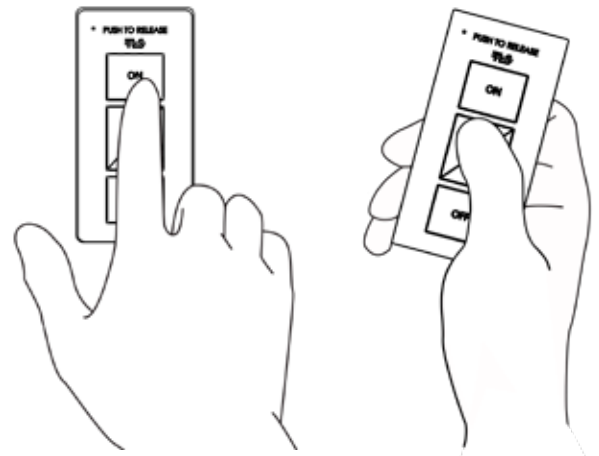
Plug in / or connect hardwire system and begin pairing the Remote within 10 seconds



CONNECT WITHIN 10 SECONDS OF BEGIN PAIRING

STEP 3 PAIR REMOTE TO TLS DIMMER

1. Press "OFF"
 2. Press "+" button
 3. Press "-" within 5 seconds to pair Remote to TLS Dimmer.
- Remote is now paired.
Increase/decrease intensity (0-100%)



**In the case of electrical power failure or disconnecting of electrical connection, repeat Steps 1 - 3. In the case that there are multiple Master Dimmer TMD-320s within a 300 foot radius space, disconnect all units from electricity and follow Steps 1-3 for each, one at a time.*

TECHNICAL *SPECIFICATIONS*

ELECTRICAL

OPERATING VOLTAGE	12-24 V DC
OUTPUT CURRENT	MAX 25 A
OUTPUT POWER	320W MAX
OPERATING TEMPERATURE	-30 °C TO 80 °C
FLICKERING %	0 - 13%

CONTROL

0-10V (SOURCE OR SINK VOLTAGE)	CAN BE CONNECTED TO ANY CONTROL SYSTEM WITH 1-10V OUTPUT
POTENSIOMETER	TMD-320 CONTAINS INTERNAL RESISTOR BUILT IN POTENSIOMETER & CAN BE ADJUSTED TO DESIRED LEVEL
RF REMOTE STAND ALONE	PROVIDED WITH RF WIRELESS CONTROL CAPABILITY

RATING

INGRESS PROTECTION	IP22 (OPTIONAL IP65)
--------------------	----------------------

PHYSICAL

DIMENSIONS	W 76MM, H 33.5MM, L 114MM
HOUSING	CLEAR ANODIZED ALUMINIUM
WEIGHT	168 GR

REMOTE *CONTROL*

DISPLAY	LED WHEN SIGNAL IS TRANSMITTED
BATTERY	CR2025 - ENERGIZER 3 VOLTS (+)
TRANSMISSION	RF
RANGE	UP TO 300 ft
UNIT SIZE	L 66MM x W 32.5MM x H 9.8MM
WEIGHT	19 GR
HOUSING	POLYCARBONATE
ENVIRONMENT	INDOOR
FUNCTIONS	ON/OFF BUTTON, DIMMING
SUITABLE DIMMERS	TLS MASTER DIMMER (TMD-320)
MOUNTING METHOD	MAGNETIC

CERTIFICATION

CETIFICATION	
--------------	--