

CUT SHEET

MASTER CONTROLLER *TMDX-320*

DESCRIPTION

The TLS Sola master controller TMDX-320 can control Intensity & CCT using 3rd party 0-10V or 1-10V input signal separately, it also provides an option Dim to Warm. It has ability to drive The TLS Sola Led system & send DMX signal to multiple repeaters TRX-320 simultaneously. It has LCD display which provides real time parameters.

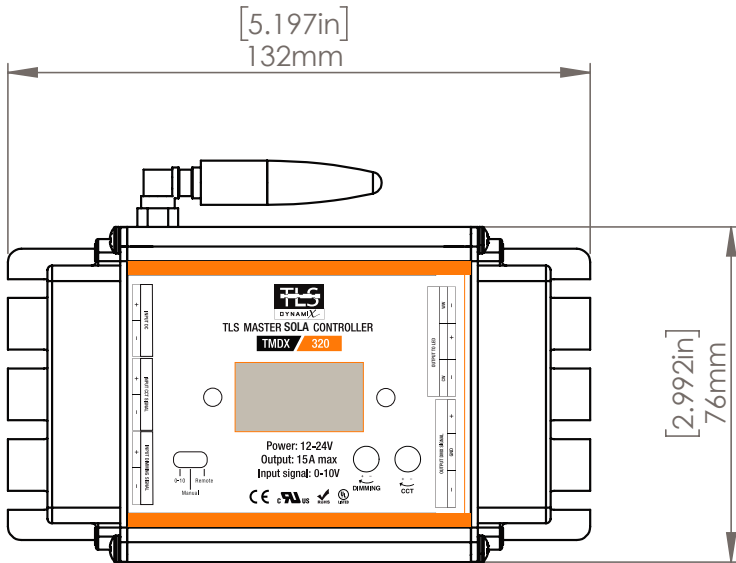
FEATURES

- Compatible with 3rd party 0-10 V or 1-10 V source or sink controllers with Dali converter
- High current capacity
- 0-10V or 1-10 V input signal to control CCT & intensity level
- Outputs a full range of require CCT values
- Only 3 wire output control
- 3 input control options: Manual, RF remote & 0-10 V or 1-10 V input
- Led screen display for real time parameters
- Easy terminal connection
- Compact size
- Robust construction

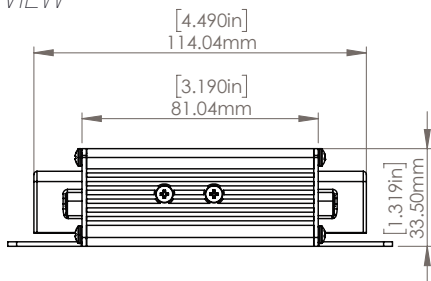


DIMENSIONS

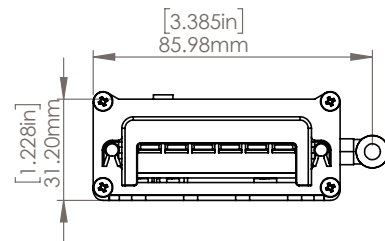
TOP VIEW



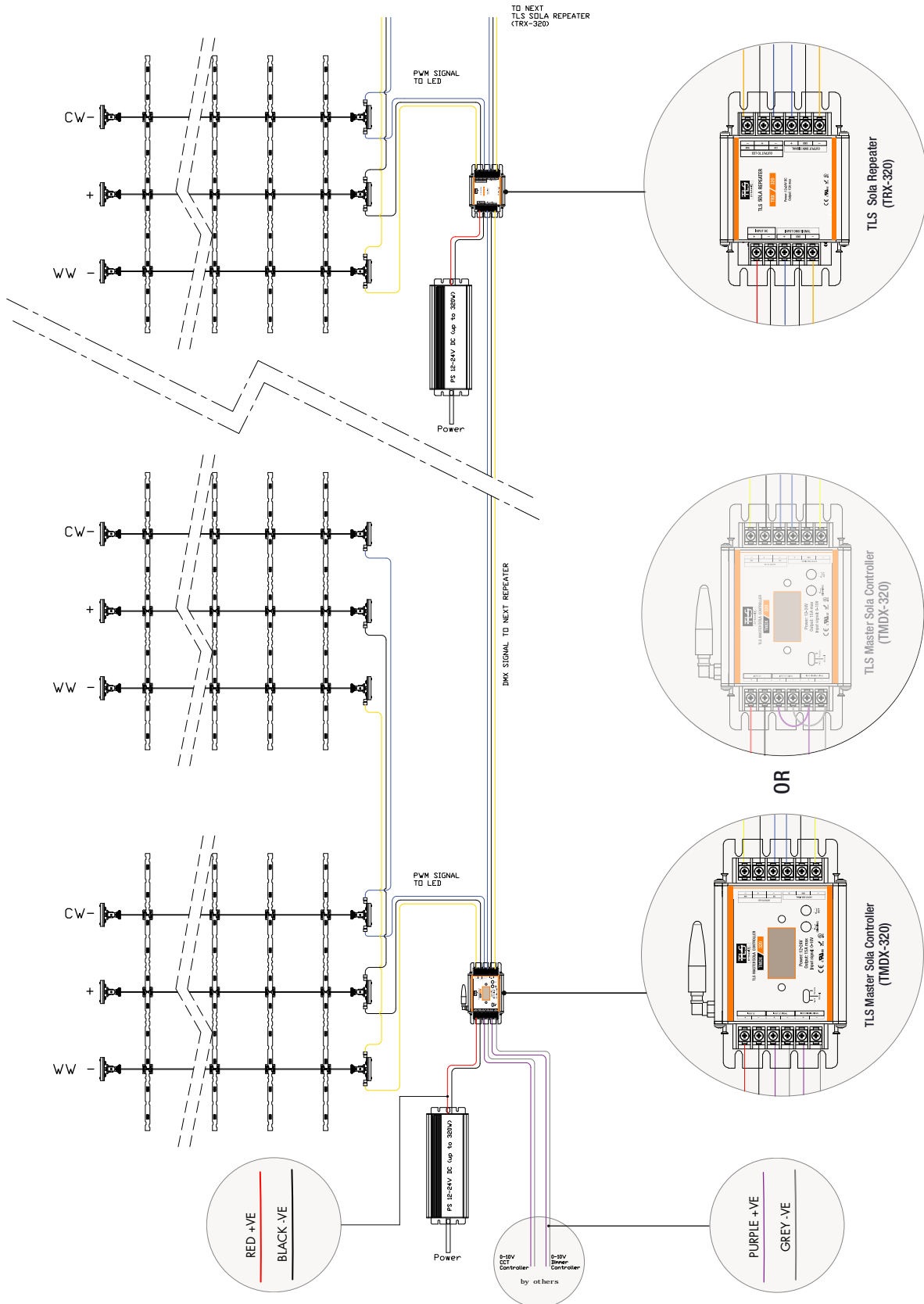
SIDE VIEW



FRONT VIEW



WIRING DIAGRAM



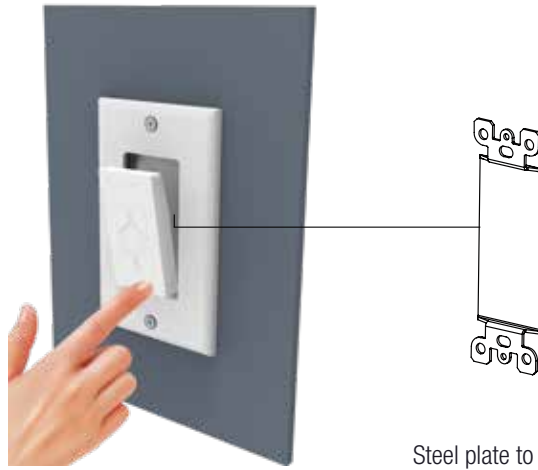
DIM TO WARM

SEPARATE DIMMING & CCT CONTROL

RF REMOTE



Switch to remote



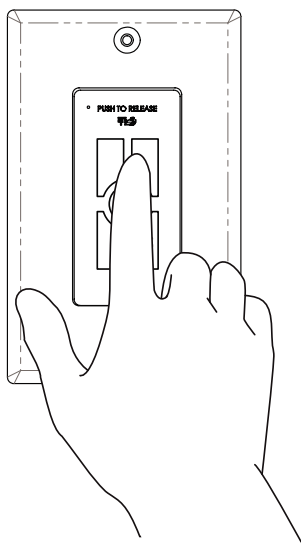
Sola remote

Steel plate to wall mount
RF Remote (provided by TLS)

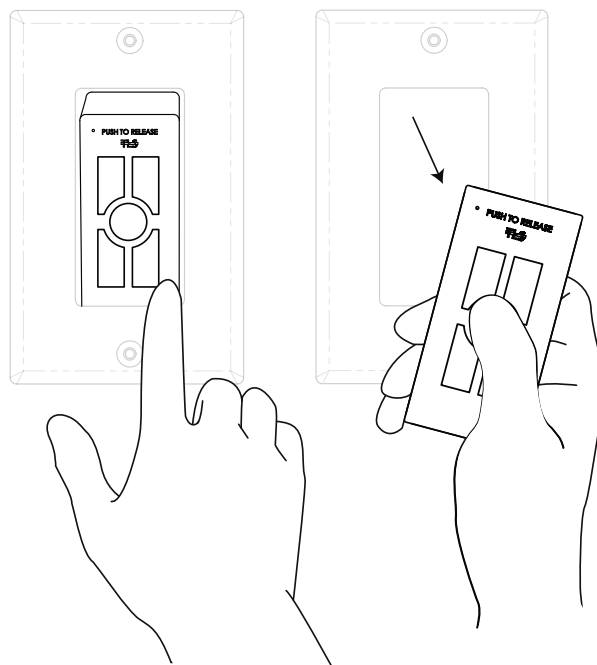
REMOTE CONTROL

TLS Dimmer remote controller is designed to be operated directly from the wall, or can be easily removed to be used remotely.

Wall mounted



Push & release



*See next page for technical specifications

TECHNICAL SPECIFICATIONS

ELECTRICAL

OPERATING VOLTAGE	12-24 V DC
OUTPUT CURRENT	MAX 15 A
OUTPUT POWER	320W MAX
OPERATING TEMPERATURE	-30 °C TO 80 °C
FLICKERING %	0 - 20%

CONTROL

INPUT CCT SIGNAL	0-10 V or 1-10 V
INPUT DIMMING SIGNAL	0-10 V or 1-10 V
OUTPUT SIGNAL	PWM to LED & DMX signal to next TRX-320
MANUAL	Two Potentiometer to control CCT & Intensity
RF REMOTE	ON/OFF, CCT UP&Down, Intensity UP&Down

RATING

INGRESS PROTECTION	IP22 (OPTIONAL IP65)
--------------------	----------------------

PHYSICAL

DIMENSIONS	W 76MM, H 33.5MM, L 132MM
HOUSING	CLEAR ANODIZED ALUMINIUM
WEIGHT	234 GR

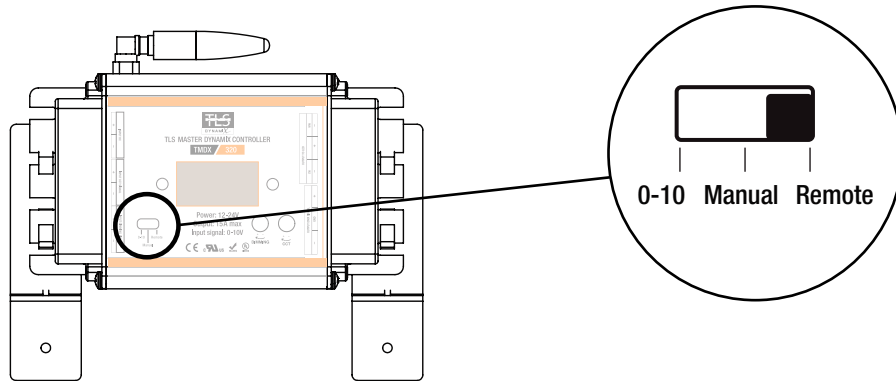
CERTIFICATION

CETIFICATION	   
--------------	--------------------------------------------------------------------------------------------------------------------------------------------------------------------------------------------------------------------------------------------------------------------------------------------------------------------------------------------------------

ACCESSORIES - REMOTE PAIRING

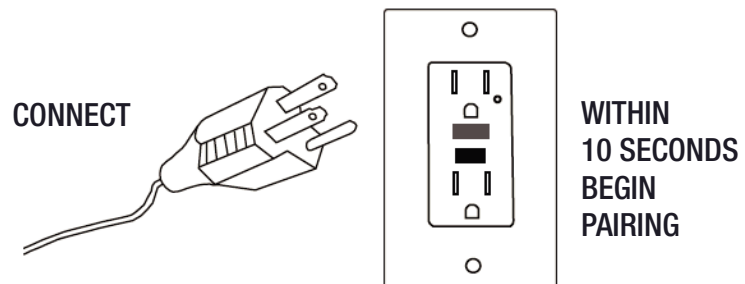
Step 1 - Before connecting to electricity

Set the TLS Master Dimmer (TMDX-320) to "Remote" position.



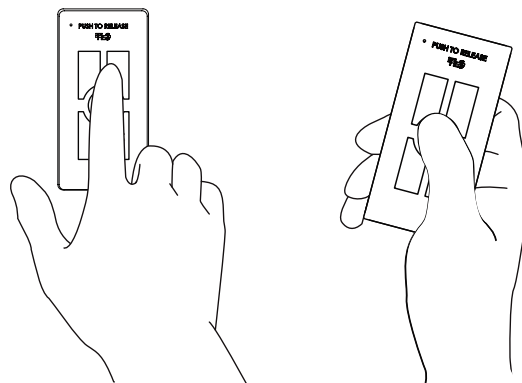
Step 2 - Connecting to electricity (plug or hardwire)

Plug in / or connect hardwire system and begin pairing the Remote within 10 seconds.



Step 3 - Pair remote to TLS Dimmer

Hold the "+" button for approximately 3 seconds to pair Remote to TLS Dimmer. Remote is now paired. Increase/decrease intensity (0-100%) by using the +/- buttons.



Note

In the case of electrical power failure or disconnecting of electrical connection, repeat Steps 1 - 3. In the case that there are multiple Master Dimmer TMDX-320s within a 300 foot radius space, disconnect all units from electricity and follow Steps 1-3 for each, one at a time.